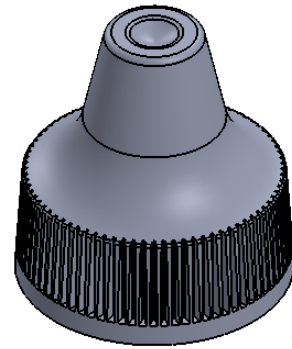
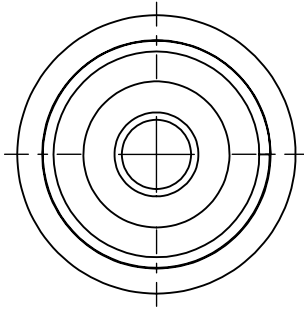


SECTION P-P



UNLESS OTHERWISE SPECIFIED:
DIMENSIONS ARE IN MILLIMETERS
SURFACE FINISH:
TOLERANCES: +/- 0.5mm
LINEAR:
ANGULAR:

FINISH:

02.12.2019

DEBUR AND
BREAK SHARP
EDGES

DO NOT SCALE DRAWING

REVISION

10ml. Bottle Cap

	NAME	SIGNATURE	DATE
DRAWN	AHMET ÖZKAYA		02.12.2019
CONF.	SELİM OĞUZLU		02.12.2019
PROD.	CEMİL UÇAN		02.12.2019
QUA.	ŞAFAK VARLI		02.12.2019

MATERIAL:

Hi PS

DWG NO.

526

A4

WEIGHT: 1.14 gr +/- 0.2 gr

SCALE: 2/1

PAGES: 1/1

ŞEN-PA PLASTİK EŞYA KALIP
İMALATI SAN. TİC. LTD. ŞTİ